

**BEST  
IN CLASS**



# programmable **thermostat**

use your new floor heating system, easily and effectively



- ✓ Air/Floor Sensing
- ✓ With Appliance Manager
- ✓ Easy To Operate
- ✓ With Default Settings
- ✓ Weekday & Weekend Schedule



**new thinking in underfloor heating**

only Livella shares its energy saving smarts to lower running costs

## Fitting Instructions

View online Tutorial - [www.livella.com/thermostat](http://www.livella.com/thermostat)

1. Open the front door, carefully remove the screw and separate the faceplate from the base.
2. Follow the Wiring Diagram to connect the floor heating cold leads, optional appliance power leads, remote temperature sensor and electrical supply to the terminals.
3. Use machine screws to securely attach the base to the wall. **Do not over tighten.**
4. Reattach the face-plate to the wall-plate ensuring that the eight pins between the electronic and electrical components are perfectly aligned.

**Note:** Remove the plastic strip from underneath the battery and reattach the faceplate to the base.

## Setting the Time and Day

Press the Set 1 and Set 2 buttons simultaneously to change the time. Monday - Sunday will be displayed at the top of the screen. Use the Up and Down Arrows to set the current hour. Press Set 1 to continue. Use the Up and Down Arrows to set the current minutes. Press Set 1 to continue. Use the Up and Down Arrows to set the current day. Press the Set 1 and Set 2 buttons simultaneously to exit.

## Operating the Floor Heating

The weekday and a weekend schedules each have four programs. For each program you must set a time and a temperature. To advance through the programs press the Set 1 button and to change the flashing value use the Up and Down Arrows. Set a low temperature (17 degrees Celsius or less to turn the heating system off). Press the Hold button once at any time to exit.

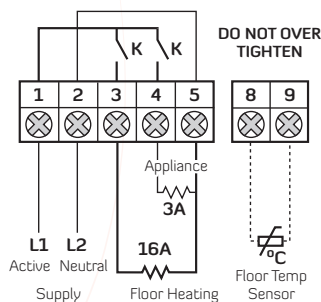
### Setting the Schedule (Default Settings)

	PROGRAM	MONDAY - FRIDAY		SATURDAY - SUNDAY	
		TIME	TEMP	TIME	TEMP
Morning	1 On	06.00am	26°	06.00am	26°
	2 Off	08.00am	17°	08.00am	17°
Afternoon	3 On	06.00pm	26°	06.00pm	26°
	4 Off	10.00pm	17°	10.00pm	17°

## Floor Heating Manual Operation

For temporary manual override press the Hold button once so that the word 'Temporary' is displayed. For permanent manual override press the Hold button again so that 'Status' is displayed. Use the up and down arrows to set a desired manual temperature. Wait six seconds for this temperature to be confirmed. To return to your programmed settings press the Hold button repeatedly until the word 'Temporary' and/or 'Status' is no longer displayed on the screen.

## Wiring Diagram



### Setting the Dipswitches

SWITCH	OFF	ON
1		
2		
3	Air Sensing	Floor Sensing
4		

## Operating the Appliance Manager

The appliance manager has a single schedule consisting of two programs. For each program you must set an on and off time. To advance through the programming press the Set 2 button and to change the flashing value use the Up and Down Arrows. Once you have completed the schedule the thermostat will turn to normal operation after the last Set 2 button press. Press the Hold button once at any time to exit.

### Setting the Schedule (Default Settings)

PROGRAM	TIME
1 On	06.00am
1 Off	09.00am
2 On	06.00pm
2 Off	09.00pm

## Appliance Manager Manual Operation

For temporary manual override press the Power button briefly so that ON2 is displayed. Press the Power button briefly again to deactivate the temporary manual override.

## Parental-Lock

Press and hold the Lock button for two seconds to prevent modification of the thermostat's settings; press and hold the Lock button for 2 seconds to return to normal operation. When the thermostat is locked a pad-lock symbol will be displayed.

## Perform a Factory Reset

Set Switch One to the On position, press and hold the Lock button for 25 seconds. Return Switch One to the off position.



### Australia

PO Box 3929  
Robina Town Centre  
Queensland 4230

T: 1800 833 933  
F: 1800 133 134  
E: [info@livella.com](mailto:info@livella.com)

### New Zealand

PO Box 35812  
Browns Bay  
North Shore City 0753

T: 0800 432 892  
F: 0800 443 289  
E: [nz@livella.com](mailto:nz@livella.com)

[www.livella.com](http://www.livella.com)